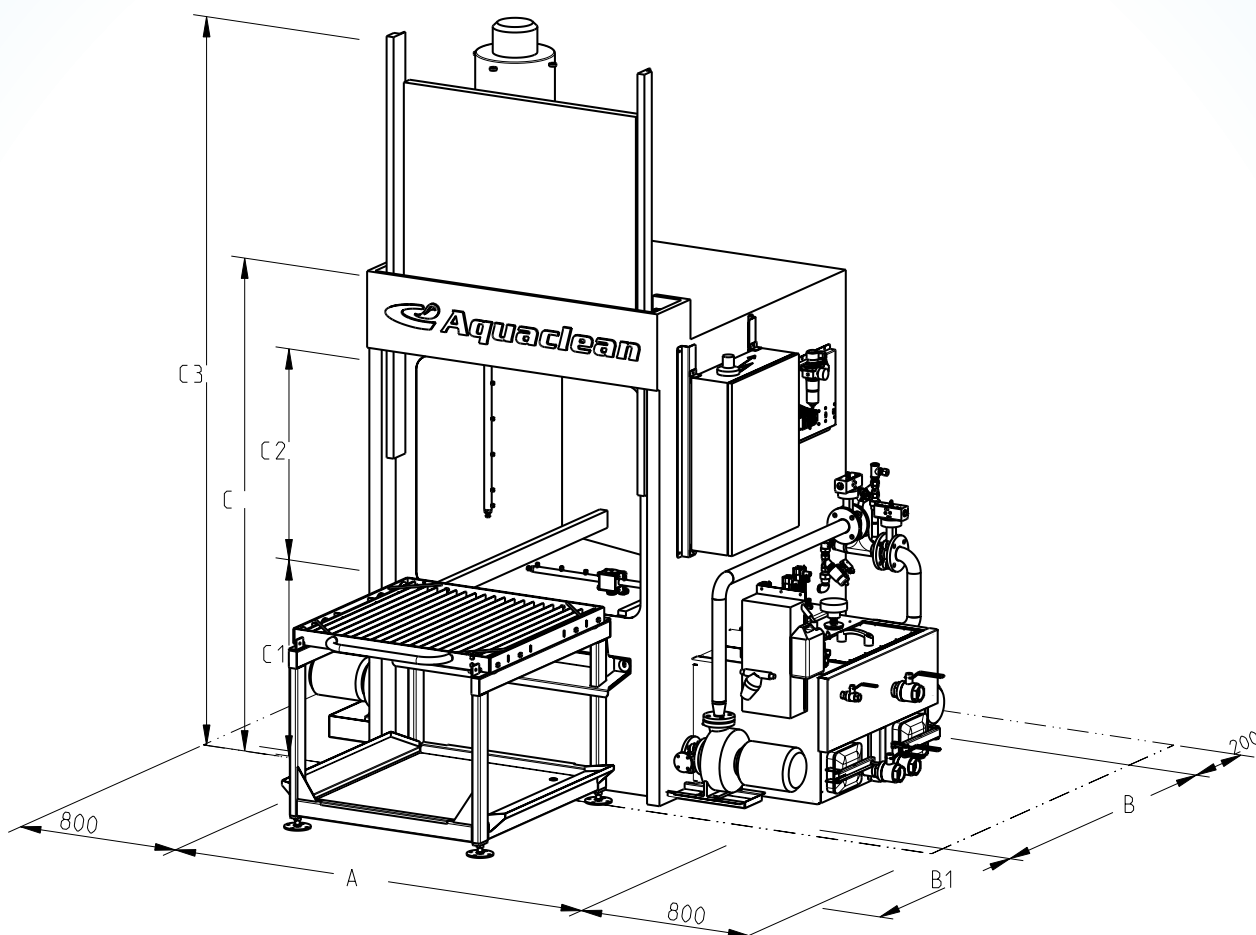
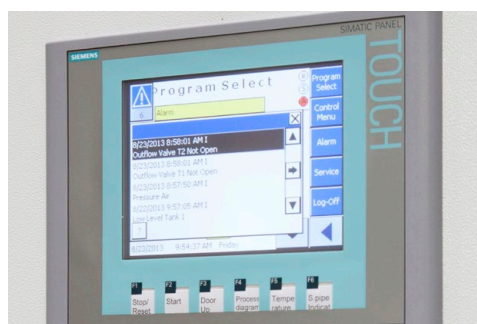
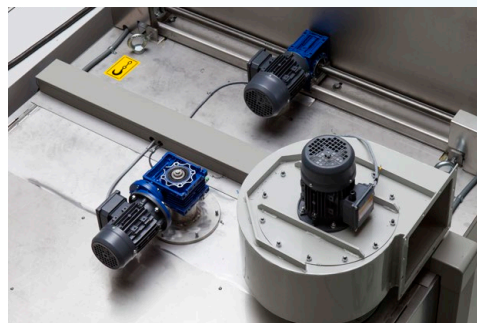


Main technical data for an aqueous spray cleaning machine, for cleaning heights 900, 1200, 1500 and 1800 mm.



MAIN DIMENSIONS (mm)		AC-1.7-2LD (C2=900)	AC-1.7-C12-2LD (C2=1200)	AC-1.7-C15-2LD (C2=1500)	AC-1.7-C18-2LD (C2=1800)
Width	A	2750	2750	2750	2750
Depth	B	1990	1990	1990	1990
	B1	1470	1470	1470	1470
Height	C	2320	2720	3020	3320
	C1	910	910	910	910
	C2	900	1200	1500	1800
	C3	3390	3990	4590	5190
Load Carriage	L x W	1300	1300	1300	1300



TECHNICAL DATA		AC-1.7-2LD (C2=900)	AC-1.7-C12-2LD (C2=1200)	AC-1.7-C15-2LD (C2=1500)	AC-1.7-C18-2LD (C2=1800)
Tank volume l	Tank 1	800	800	800	800
	Tank 2	550	550	550	550
Heating capacity kW	Tank 1	24	24	24	24
	Tank 2	12	12	12	12
Pump flow l/min	Stage 1	450	490	540	590
	Stage 2	380	410	460	500
Pump pressure bar	Stage 1	4.5	4.5	4.5	4.5
	Stage 2	2.5	2.5	3	3
Pump motor kW	Stage 1	7.5	7.5	7.5	7.5
	Stage 2	3	3	4	4
Max. component dimensions	L x W ^{mm}	1300	1300	1300	1300
	Height ^{mm}	900	1200	1500	1800
	Diam. ^{mm}	1500	1500	1500	1500
	Weight ^{kg}	800	800	800	800
Machine weight	kg	1800	1900	2000	2100
Connection power	kW	40	40	41	41